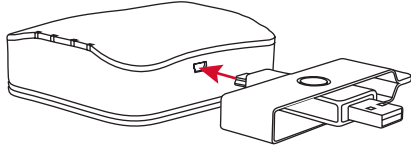
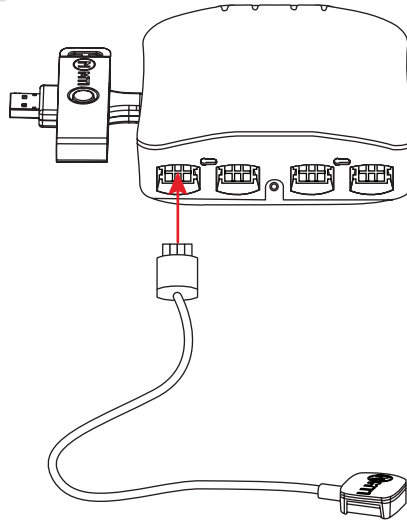


1

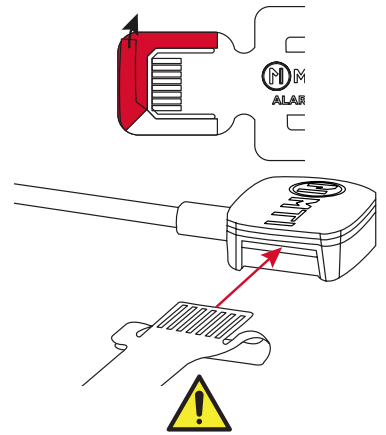


Insert IntelliKey to disarm.

2

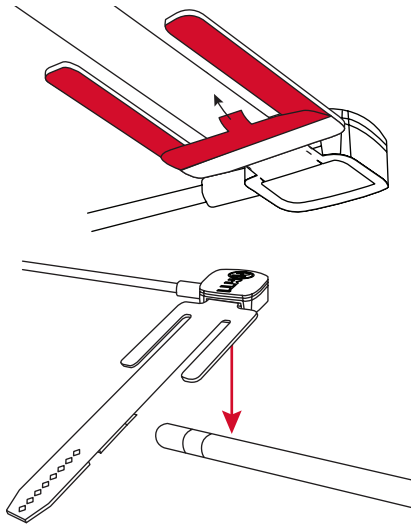


3

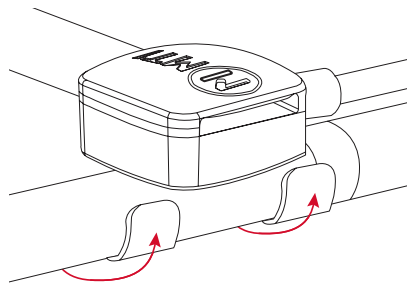


FlexSensor must be completely inserted into anchor. Press on the VHB Security Tab to fully adhere it to the underside of the anchor.

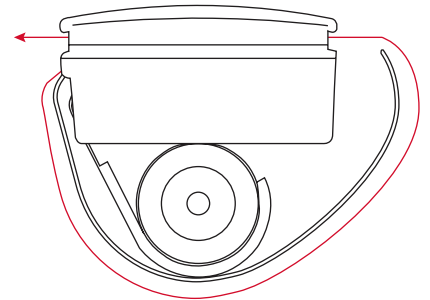
4



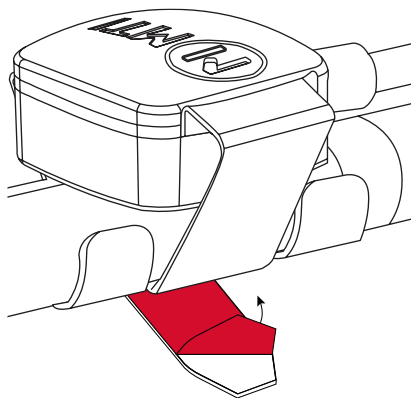
5



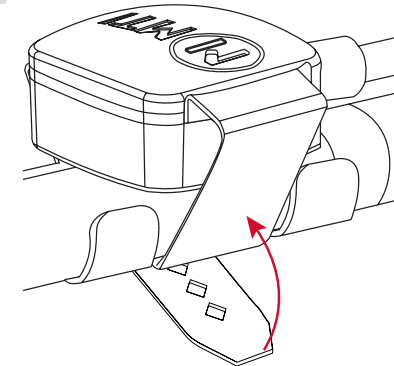
6



7

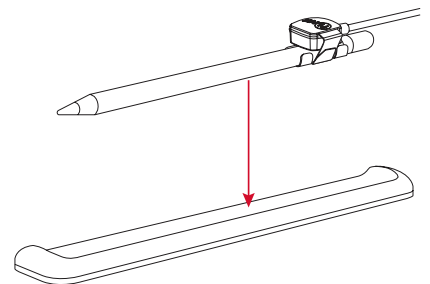


8



Tighten FlexSensor, then peel VHB and adhere to bottom of anchor. There may be some excess FlexSensor at the end.

9



Remove the Intellikey from the Alarm Module. At this point the anchor will be lit and in armed mode.